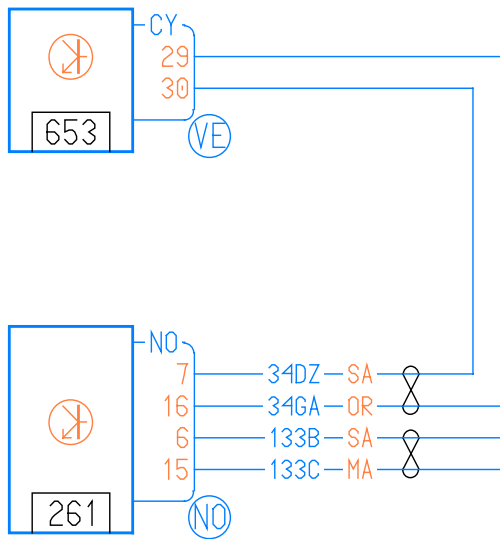
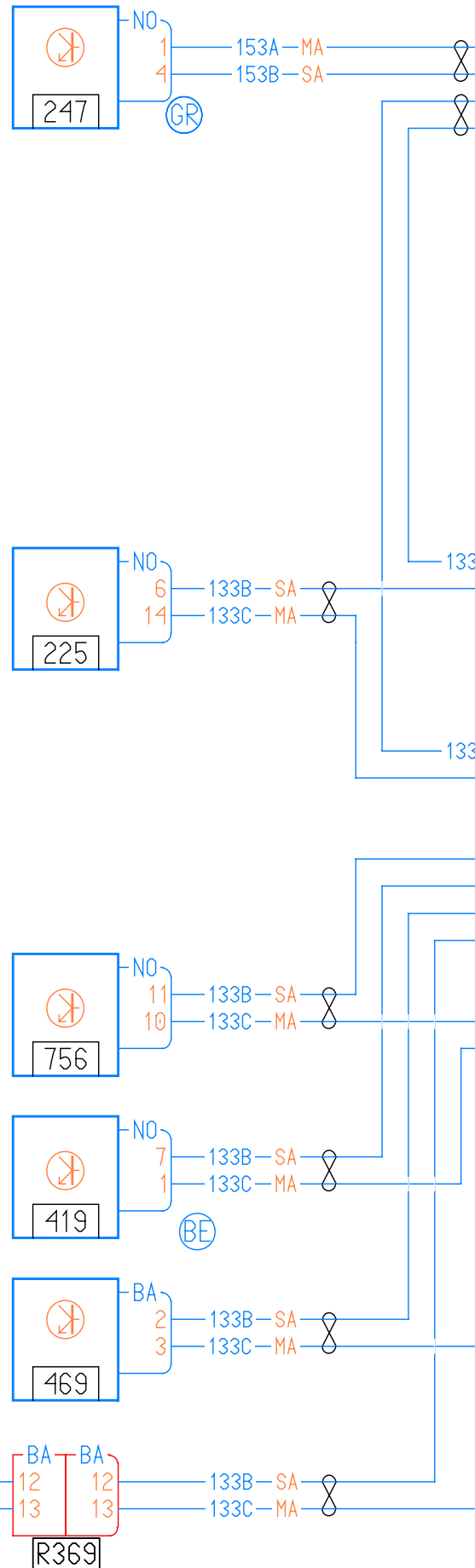


ABS/SCTFDR/EQGPL/NINAV1/RAD03,RAD06

X84

03



3-244

