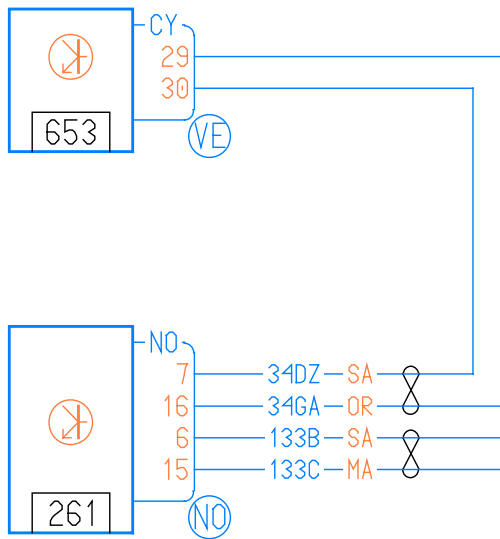
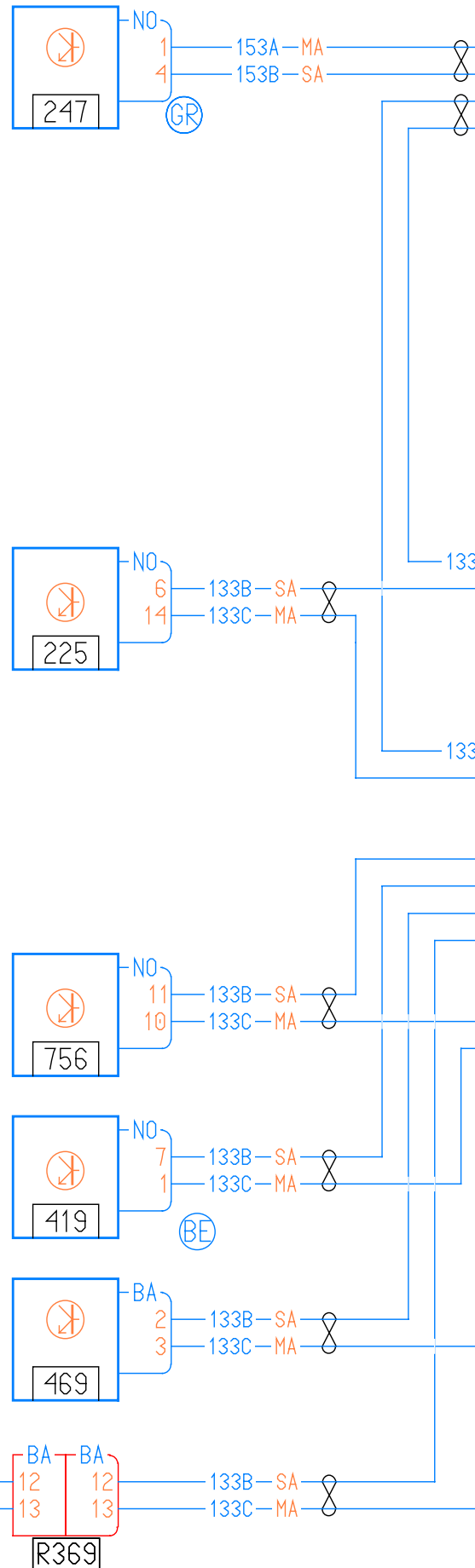


ABS/SCTFDR/NINAV1/RAD03,RAD06/BVA4

X84

03



3-241

