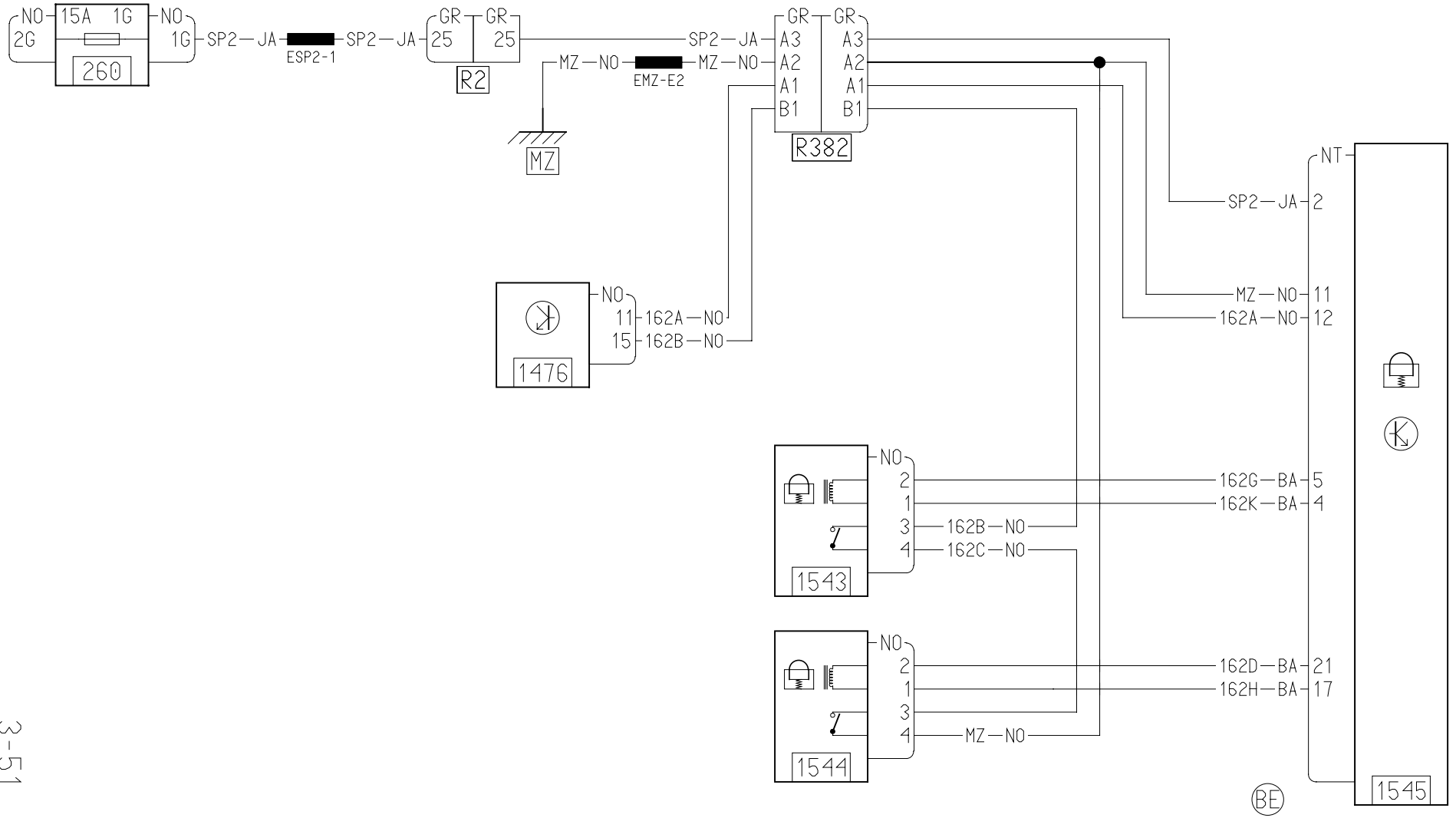




E84/TOESC/ARASER

X84

03



3-51