

X74
05

597

597

645

173

525

523

524

BP13-RC

BP12-RC

GR A

GR B

POT 2

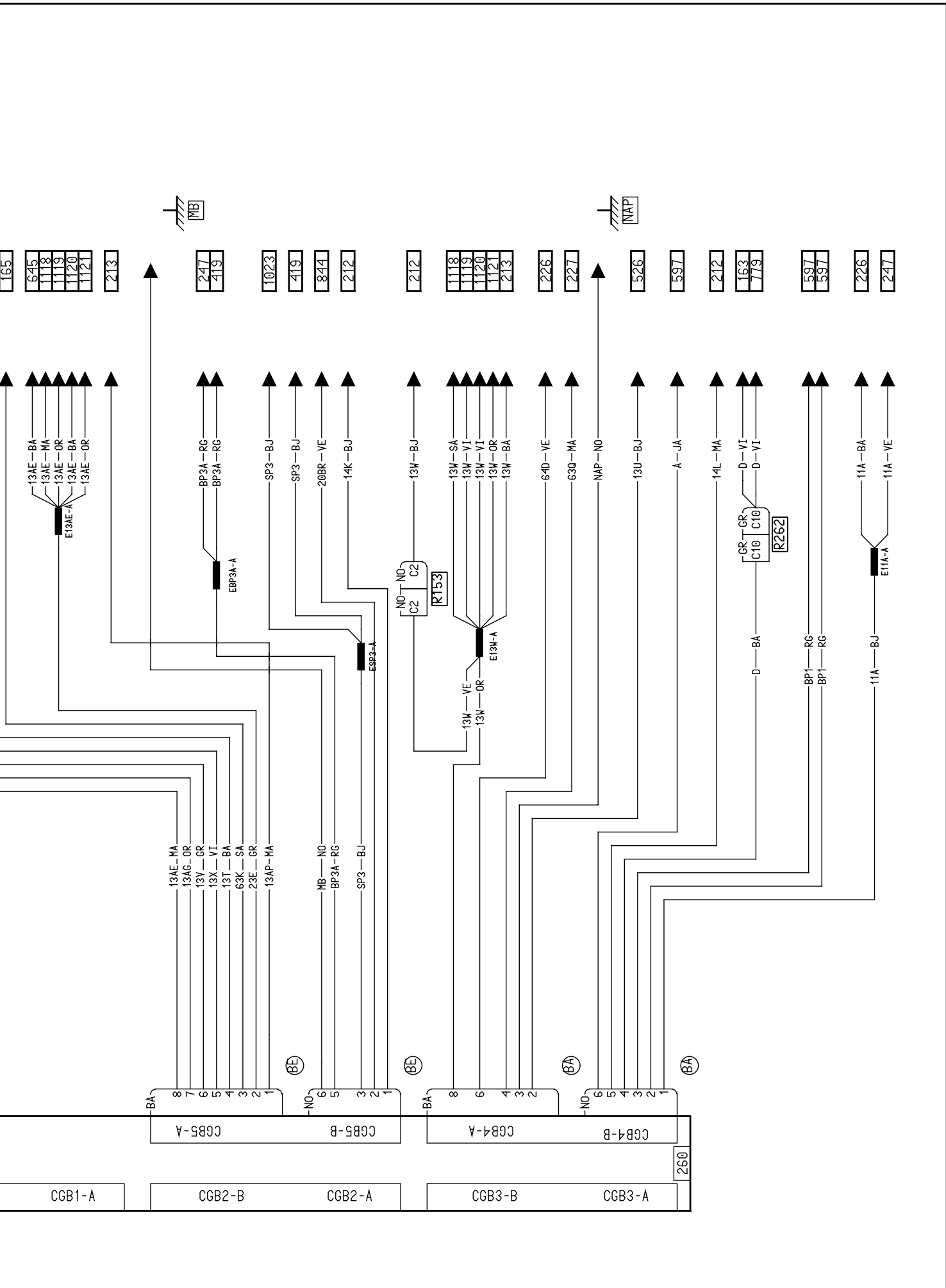


POT 1

CGB1-B

P 101

P 100



BA

CGB5-A

8
7
6
5
4
3
2
1

13AE-MA
13AG-OR
13V-GR
13X-VI
13T-BA
63K-SA
23E-GR
13AP-MA

13AE-BA
13AE-MA
13AE-OR
13AE-BA
13AE-OR

E13AE-A

165
645
1118
1119
1120
1121
213

NO

CGB5-B

6
5
3

MB-NO
BP3A-RC
SP3-BJ

BP3A-RC
BP3A-RC
14K-BJ

EBP3A-A

247
419

BA

CGB4-A

8
6
4
3
2

13M-VE
13M-OR

E13M-A

NO
NO
C2
C2

R153

13M-SA
13M-VI
13M-VI
13M-OR
13M-BA

1118
1119
1120
1121
213

NO

CGB4-B

6
5
4
3
2
1

64D-VE
63D-MA
NAP-NO

13U-BJ
A-JA

14L-MA

GR-GR
C10
C10

R262

D-BA
BP1-RC
BP1-RC

11A-BJ
11A-BA
11A-VE

E11A-A

226
227
526
597
212
163
719
597
597
226
247

260

CGB1-A

CGB2-B

CGB2-A

CGB3-B

CGB3-A

MB

NAP

E